

ALUMINUM REPAIR CERTIFICATION EQUIPMENT

Eliminate hazardous aluminum dust with a Eurovac system

Product Description

When repairing an aluminum structured vehicle, it is essential that extreme care be taken to capture all the particulates at the source to prevent cross metal contamination. If cold steel particles come in contact with bare aluminum, even in microscopic levels, it can lead to a reaction called "galvanic corrosion". This reaction can corrode the metal or cause blistering or bubbling on the painted surface.

To prevent "galvanic corrosion", automobile manufacturers have aluminum standards that need to be met before a body shop can become authorized for repair of their vehicles. Eurovac will ensure you meet the automobile manufacture standards with the use of a portable or central dust and fume extraction system. Eurovac will also ensure that you meet the aluminum standards in a safe manner as aluminum dust is a highly explosive particulate.

System Benefits

- **Reduce health risks from harmful airborne dust and fumes**
- **Eliminate hazardous aluminum dust**
- **Sandpaper savings: Dust extraction systems extend the life of paper 30-50%**
- **Paint & Re-Paints: eliminate having to repaint due to a dusty environment**
- **Compliance: CCST & OSHA mandated clean air requirements**
- **Cut down on cleaning costs and increase production**

BODY REPAIR EQUIPMENT OPTIONS

BODY REPAIR CERTIFICATION
EII Wet Mix Dust Collector



BODY REPAIR CERTIFICATION
EI Wet Mix Dust Collector



STRUCTURAL REPAIR EQUIPMENT OPTIONS

STRUCTURAL REPAIR CERTIFICATION
Portable Fume Extraction System



STRUCTURAL REPAIR CERTIFICATION
Central Fume Extraction System



EUROVAC II - WET-MIX DUST COLLECTOR

Eliminate hazardous dust with a Eurovac system and source capture sanding tools



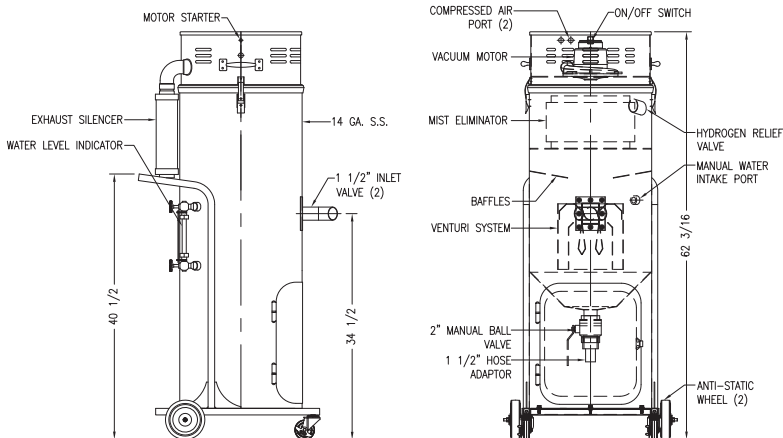
*Patent Pending

How the Unit Works:

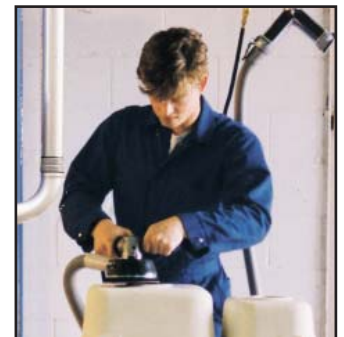
Explosive dust is drawn into the unit through and forced down through a venturi, deep into the water. The water acts as a separator, and the majority of the dust particles fall to the bottom of the unit immediately. Those particles that manage to escape this first stage of cleansing, are forced through thick curtains of water, and are deflected by a series of baffles into the water turbulence, separating the remaining dust from the air. The moist clean air is drawn through the unit by an internally fitted blower, passes through a stainless steel mist eliminator, where the moisture is removed from the clean air. The dust which has settled to the bottom of the unit is removed through the sludge drain valve.

Features:

- Powerful 13.8 amp motor with sealed bearings built to handle moist air from wet collector. 1560 watt pump produces 145" of water column; 140 free flow CFM. *Has enough power for 2 technicians to sand with orbital sanders at the same time.*
- Quiet operation particularly for fine dust... motor housing is insulated and baffled for sound.
- On/off feature...motor is turned on and off automatically by air switches when pneumatic tools are activated. This increases the life of the motor and reduces energy costs of running the motor.
- Includes a plastic sight glass to determine when water should be added.
- Stainless steel mist eliminator and final filter picks up 99.9% of dust to 10 microns.
- 2" ball valve & hose at the bottom of the separator for removing sludge.



Automotive & Industrial Explosive Metals Applications



HIGH VACUUM - WET MIX DUST COLLECTOR

Eliminate hazardous dust and fumes with a Eurovac system



How the unit works:

Contaminated air is drawn into the unit through a tapered scrubber and forced down through a venturi, deep into the water, where the air is released. The water acts as a separator, and many of the dust particles fall to the bottom of the unit immediately. Those particles that manage to escape this first stage of cleansing, are forced through thick curtains of water, and are deflected by a series of baffles into the water turbulence, separating the remaining dust from the air. The airflow creates a circulation in the water that simultaneously removes dust particles from the water and prevents stagnation of the water. The moist clean air is drawn through the unit by an internally fitted fan, passes through the mist eliminators, where the moisture is removed from the clean air. The clean air can be returned to the workplace. The dust which has settled to the bottom of the unit will be removed through the sludge drain valves, rake out, hopper or drag bar conveyor. Standard units are available in capacities ranging from 150 to 1,500 C.F.M.

Applications:

- Processing and finishing of aluminum,
- Manganese titanium,
- Stainless steel
- Plasma cutting and plasma hot metal spraying
- Laser cutting
- Melting furnaces
- Removing dust and odor from green sand mold cooling and shake out operations
- Removing dust from shot blast operations
- Grinding and buffing etc.

Features Include:

- Constant high efficiency and air flow
- Minimum operation costs
- Low Maintenance
- Stainless steel or galvanized construction
- Easy access for inspection and routine cleaning
- Fully automatic water level control system
- "Static" Unit (no moving parts)
- No water pump required

BOXAIR PORTABLE FUME EXTRACTOR

Eliminate dust & fumes at the source with a portable fume extractor



Portable extractor for capturing:

- *Welding Fumes*
- *Grinding Dusts*
- *Dry Dusts*
- *Soldering Dusts*
- *Powders*

700 CFM @ Hood

Spark Trap

Large Wheels

Cartridge Filter

Single phase operation

Arm Diameter: 6"

Arm Length: 7'

KEY BENEFITS

- Meets OSHA air quality standards
- Avoid health and safety hazards that cause respiratory ailments
- Reduce make-up air requirements by cleaning and re-circulating the air
- Cut maintenance costs by eliminating smoke and dust before particles can settle on equipment and work surfaces



Specialists in Dust and Fume
Extraction Systems

CANADA Toll Free 800-265-3878
Fax 905-738-4603
Web www.eurovac.com

USA Ph. 800-265-3878
Fax 905-738-4603
Web www.eurovac.com

116 Buttermill Ave, Concord, ON L4K 3X7

6295 Lear Nagle, Suite C, North Ridgeville, OH 44039

ROLLOUT PORTABLE FUME EXTRACTOR

Eliminate dust & fumes at the source with a portable fume extractor



Portable extractor for capturing:

- *Welding Fumes*
- *Grinding Dusts*
- *Dry Dusts*
- *Soldering Dusts*
- *Powders*

750 CFM @ Hood
Pulse Cleaning System
Large Cartridge Filter
Carbon After Filter

Spark Trap

Large Wheels

Arm Diameter: 6"

Arm Length: 10'

***Optional Hepa Filter**

KEY BENEFITS

- Meets OSHA air quality standards
- Avoid health and safety hazards that cause respiratory ailments
- Reduce make-up air requirements by cleaning and re-circulating the air
- Cut maintenance costs by eliminating smoke and dust before particles can settle on equipment and work surfaces



Specialists in Dust and Fume
Extraction Systems

CANADA Toll Free 800-265-3878
Fax 905-738-4603
Web www.eurovac.com

116 Buttermill Ave, Concord, ON L4K 3X7

USA Ph. 800-265-3878
Fax 905-738-4603
Web www.eurovac.com

6295 Lear Nagle, Suite C, North Ridgeville, OH 44039

Rollout Filtering Unit

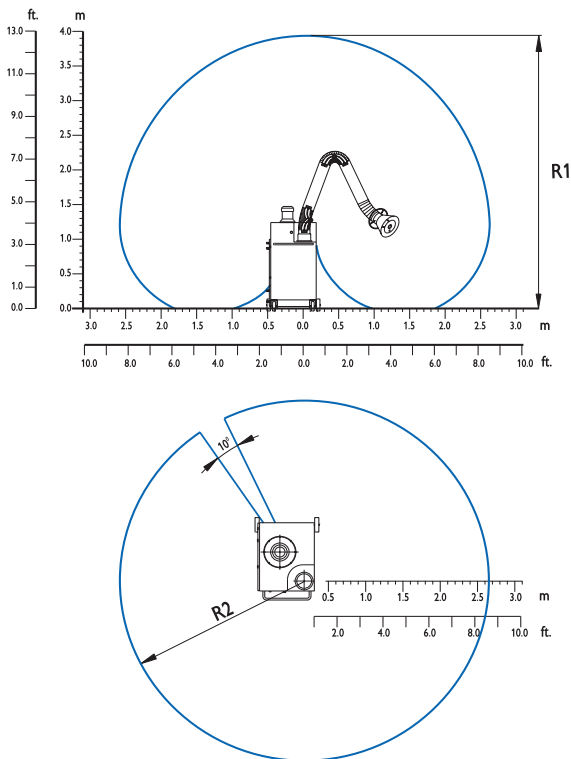
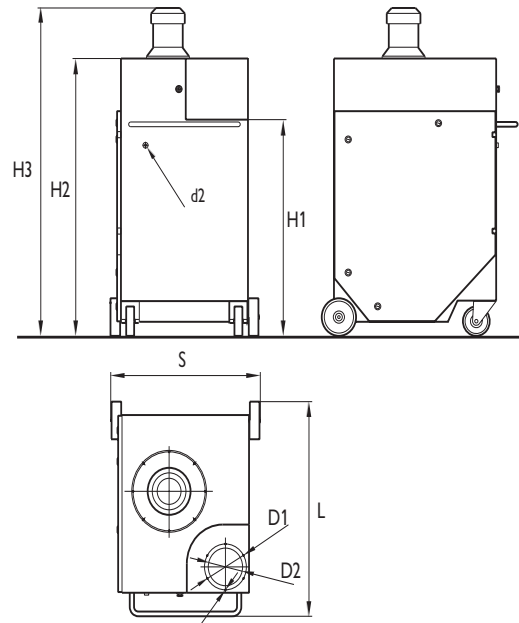
Eurovac's Portable Filtering unit RollOut is designed to exhaust and filter dry impurities. A highly efficient filtering cartridge makes it possible to use everywhere for processes such as welding, grinding, polishing, cutting of metals and plastics and much more. The housing of The RollOut is manufactured of welded steel sheet. It is completely painted with polyester-epoxy powder paint. Inside there is an aluminium mesh (prefilter), which protects the cartridge from sparks and prefilters the air. Next there is main cartridge filter eliminating dust to 99% of all particles greater than .5 microns and a final carbon after-filter at the outlet. The cartridge filter is cleaned with a compressed air system which is located inside the cabinet (air tank with safety valve, pneumatic pulse valve). Cleaning is started with a palm button (manually controlled cleaning) and should be performed each time the airflow decreases or at the end of a work day (depending on usage). The RollOut filtering unit is also equipped with a heavy duty Electrical on/off switch. Large rear wheels mounted to the rear of the housing and swivel casters mounted to the front of the housing make easy for moving the unit to work area. A self-supporting 1630P (160mm x 3m) is mounted at the top of the unit.

Performance Features

- 3 Stage filtration
 - Stage 1: (1) Metal Mesh Filter
 - Stage 2: (1) Polyester Spun Bond Cartridge
 - Stage 3: (1) Carbon after filter
- Eliminates dust to 99% of all particles greater than .5 micron in size
- 69 dBa level @ 1m
- Manual pulse cleaning (option of timer controlled)

Construction Features

- Heavy Duty welded construction
- Heavy Duty Wheels and Swivel Castors
- Full Width handle for ease of movement
- Easy access to the filters
- Low Center of Gravity to prevent tipping
- Compressed air tank
- Thermal overload for motor



DIMENSIONS		
L	(in) / (mm)	34.92 / 887
S	(in) / (mm)	29.21 / 742
H1	(in) / (mm)	36.3 / 922
H2	(in) / (mm)	46.53 / 1182
H3	(in) / (mm)	55.1 / 1400
D1	(in) / (mm)	6 / 160
D2	(in) / (mm)	7.68 / 198
d1	(in) / (mm)	M6 metric thread
d2	(in)	1/4" NPT
R1	(ft) / (m)	13 / 4.05
R2	(ft) / (m)	9.2 / 2.8
TECHNICAL DATA		
Airflow with arm	(cfm) / (m3h)	750 / 1275
Weight 1 (without arm)	(lb) / (kg)	275 / 125
Weight 2 (with arm)	(lb) / (kg)	320 / 145
Motor power supply	(V) / ph / (Hz)	115/1/60
Motor Power	HP / kW	1.5 / .75
Waste Drawer	(Gallons) / (L)	2.23 / 10
Filters:		
Preliminary (metal)	(in) / (mm)	23x23x0.8 / 596x596x20
Cartridge Filter	(in) / (mm)	23x23x11.5 / 596x596x292
Carbon at outlet	(in) / (mm)	21x17x0.8 / 540x440x20

Specialists in Dust and Fume
Extraction Systems

CANADA Toll Free 800-265-3878
Fax 905-738-4603
Web www.eurovac.com

USA Ph. 800-265-3878
Fax 905-738-4603
Web www.eurovac.com

116 Buttermill Ave, Concord, ON L4K 3X7

6295 Lear Nagle, Suite C, North Ridgeville, OH 44039



Product Description:

Eurovac self-supporting arms provide the most economical and effective methods for the capture of fumes. Contaminants are removed at their source. The use of self-supporting joints, flexible hoses and smooth bore tubing allow for easy placement of the arm's hood near the source of a problem. Fume arm tubes are fabricated of steel with cast aluminum joints which include a friction disc and are fully adjustable to the worker's desired tension. The arms include a handle which completely encircles the hood in order to facilitate easy repositioning from all sides. Hood diameters vary from 6"/160mm on the 3"/75mm arms, to 14"/350mm on the 8"/200mm arms. All hoods are equipped for installation of an optional light kit.

Features Include:

- Adjustments and supports on exterior
- "Grab" handle all around the hood
- Second handle for rotation on the tube
- Air diverter in hood to increase capture velocity
- Heavy duty 360 degree swivel with safety stop
- Smooth tube construction for lowest pressure drop
- Totally encapsulated lift assist spring
- Heavy duty cast joints
- Built-in shut off damper in every arm

Typical Applications:

- All welding processes
- Grinding dusts and most airborne dusts
- Polishing, painting, printing
- Soldering fumes
- Chemical applications such as laboratories (stainless steel models)
- Food and pharmaceutical (stainless steel models)

Optional accessories to provide the best solution for a particular problem include:

- Swinging extension booms to increase reach
- Brackets for wall hanging mount
- Arms with a standing bench mountable flange
- Fans or filtering system

Arm Information:

Model	Arm Diameter	Arm Length	Available hood Diameter
W0303*	3" / 80mm	3' / 0.8m	4" / 100mm
W0305*	3" / 80mm	5' / 1.5m	4" / 100mm
W0405*	4" / 100mm	5' / 1.5m	6" / 160mm
W0407*	4" / 100mm	7' / 2m	6" / 160mm
W0408*	4" / 100mm	8.5' / 2.5m	6" / 160mm
W0607*	6" / 160mm	7' / 2m	12" / 315mm
W0610*	6" / 160mm	10' / 3m	12" / 315mm
W0614*	6" / 160mm	14' / 4m	12" / 315mm
W0807*	8" / 200mm	7' / 2m	14" / 350mm
W0810*	8" / 200mm	10' / 3m	14" / 350mm
W0814*	8" / 200mm	14' / 4m	14" / 350mm

*Add Prefix P to above model number to specify stand mounted

“B & C SERIES” BACKWARD INCLINE FANS



PRODUCT DESCRIPTION:

The Eurovac B & C series fans are industrial backward incline. The B series fans are used for smaller applications which do not require such high levels of CFM and static pressure. The C series has a larger range of HP”s which can meet the needs of higher pressures and CFMs required.

FEATURES:

Wheels - Constructed with backward incline blades of heavy cast aluminum, dynamically balanced and designed for efficient operation
Housing - 16 gauge steel housing and motor bases for rigidity and long life.

APPLICATIONS:

Vehicle exhaust extraction, welding fume extraction, general fume extraction, dust collection, conveying and cooling.

OPTIONS:

Epoxy paint, brackets, drain upgrade, AMCA B or C upgrade (c series only), exhaust silencer and dampers.



Roof mounted



Wall mounted



Support beam mounted